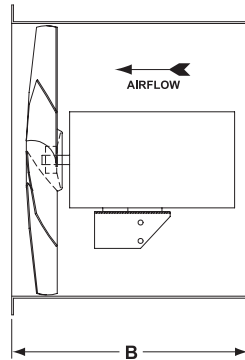
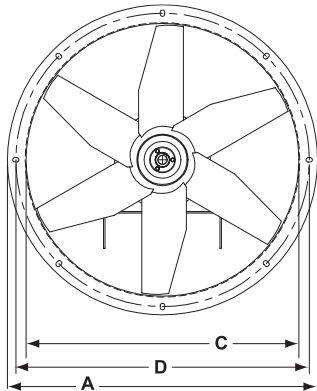




Direct Drive Tubeaxial Fan Model USHD

Model USHD fan is a direct drive, tubeaxial exhauster with the motor in the airstream. Capacities up to 14,792 CFM and up to 3/4 inch static pressure. The compact design provides easy installation with ducted ventilation systems. The USHD is designed to operate in any position and is furnished with mounting flanges on both ends for easy installation.



Construction Features

Housing

- Constructed of heavy gauge rolled steel
- Rolled flange at each end for ease of mounting
- Standard acrylic epoxy finish provides a tough durable surface

Aluminum Propeller

- Heavy duty, all welded aluminum construction
- Precision balanced circular-arc blades for high airflow capacity



Disconnect Switch

- All units are equipped with a factory wired disconnect switch

Motors

- Continuous duty motors located in the airstream
- Motors shipped mounted to the fan

Options/Accessories

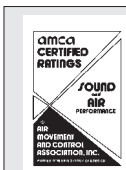
- Coatings
- 2 Speed Switch
- Companion Flange
- Mounting Base
- Guard

DIMENSIONS					
Fan Model	A	B	C	D	Est. Unit Wt.
USHD12	14.56	14.00	12.22	13.44	35
USHD16	18.50	14.00	16.10	17.50	47
USHD18	21.00	16.00	18.48	19.88	54
USHD21	23.88	16.00	21.25	22.56	66
USHD24	26.88	18.00	24.44	25.75	76
USHD30	33.64	18.00	30.60	32.25	98

Dimensions are shown in inches. Weights are shown in pounds.

PERFORMANCE DATA											
Fan Model	HP	RPM	Max. BHP	Sones @ 0.0"	CFM vs. Static Pressure						
					.000"	.125"	.250"	.375"	.500"	.625"	.750"
USHD12E	1/4	1750	0.14	17.1	1627	1465	1182				
		1160	0.04	9.9	1079						
USHD16F	1/3	1750	0.36	22	2763	2595	2388				
		1160	0.10	14.9	1832	1530					
USHD18G	1/2	1750	0.52	25	3938	3724	3521	3323	3058		
		1160	0.14	14.1	2610	2299	1807				
USHD18H	3/4	1750	0.80	29	4670	4436	4198	3947	3653		
		1160	0.21	16.7	3095	2738	2266				
USHD21J	1	1750	1.10	27	6193	5970	5738	5489	5211	4891	4468
		1160	0.33	14.3	4105	3760	3341	2167			
USHD24J	1	1160	1.02	20	8555	8105	7613	6998			
USHD30M	3	1160	3.06	29	14792	14208	13624	13036	12419	11681	

Performance shown is for Installation Type A: Free Inlet, Free Outlet. The sound ratings shown are loudness values in fan sones at 5 feet (1.524 m) in a hemispherical free field calculated per AMCA Standard 301. Values shown are for Installation Type A: Free Inlet fan sone levels. Performance ratings do not include the effects of appurtenances in the airstream.



U.S. Fan International® certifies that the models shown herein are licensed to bear the AMCA seal. The ratings shown are based on tests and procedures performed in accordance with AMCA Publication 211 and AMCA Publication 311 and comply with the requirements of the AMCA Certified Ratings Program.



U.L. 705 Listed



CSA Certified

Consult your U.S. Fan representative for availability.